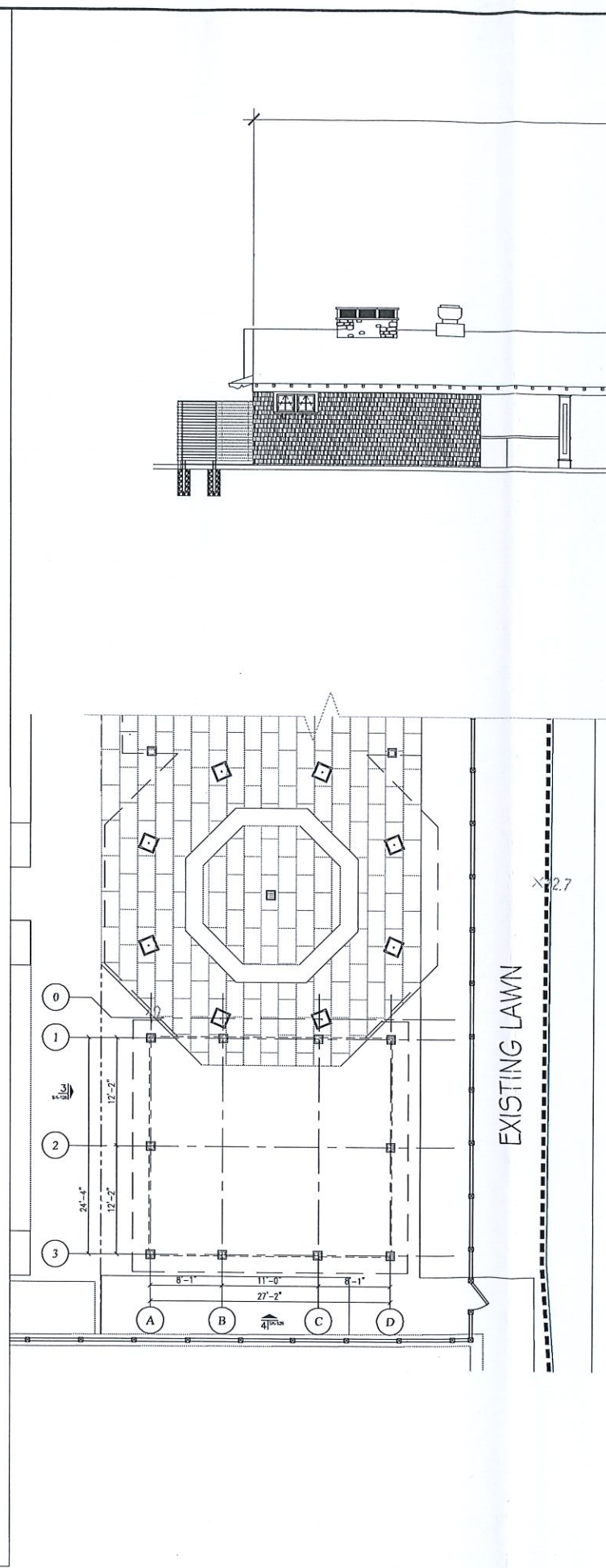
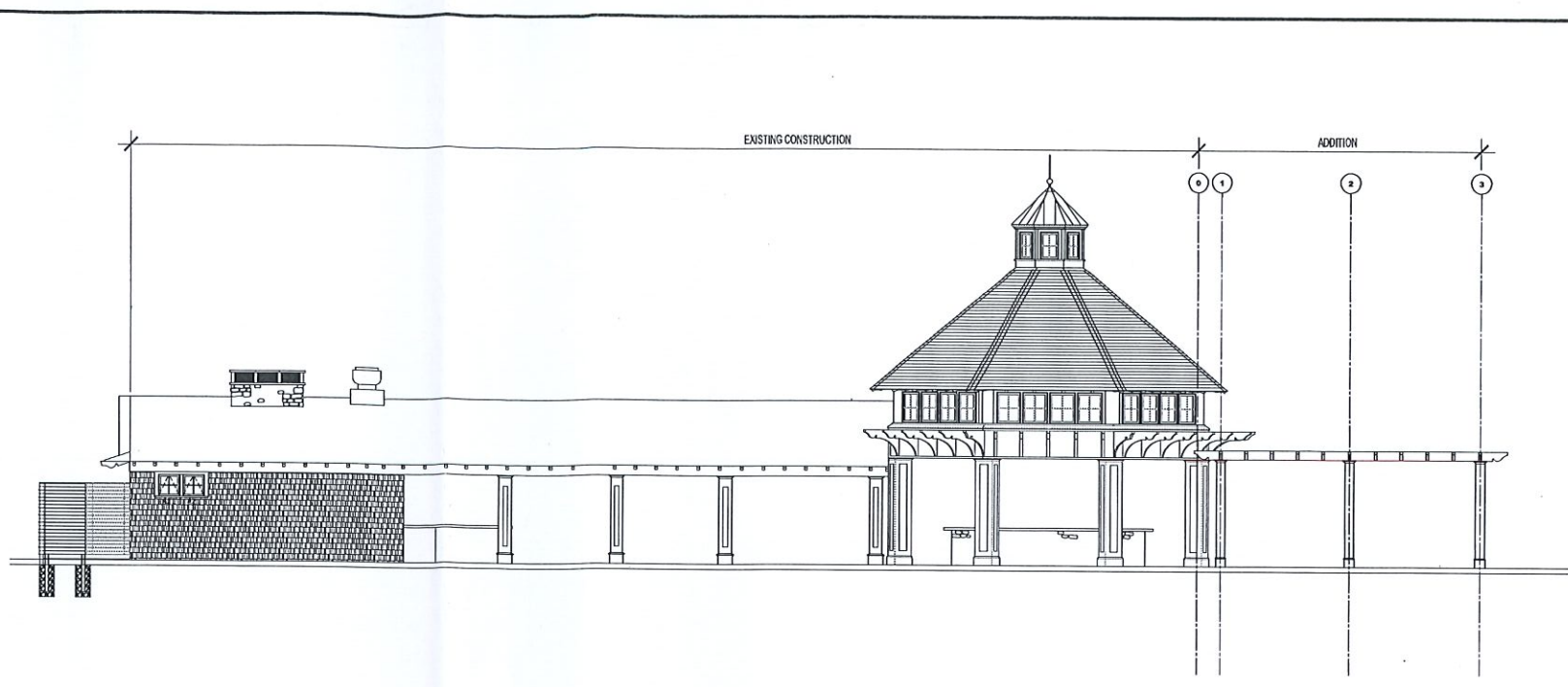


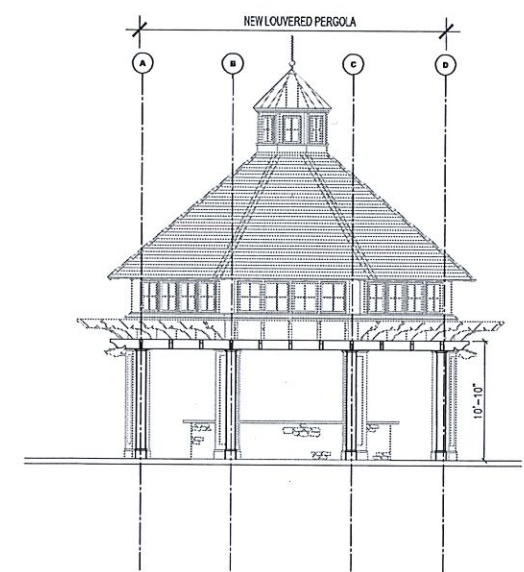
1 Coastal Addition Roof Plan
Scale: 1/8" = 1'-0"



2 Coastal Addition Floor Plan
Scale: 1/8" = 1'-0"



3 Coastal Addition Side Elevation
Scale: 1/8" = 1'-0"



4 Coastal Addition Rear Elevation
Scale: 1/8" = 1'-0"

Project
Coastal
23 Snow Road
Harwich Port, MA
02646

NOTES:
All notes on this drawing are typical and apply equally to all comparable conditions. Dimensions shall take precedence. Errors or discrepancies on details are to be brought to the attention of the GSDesign Group, Inc. before the work or materials have either been commenced, and or purchased.
These drawings are the property of the GSDesign Group, Inc. & specifically prepared for the owner of this project at this site and are not to be duplicated or used in part or whole for any other purpose, project location or owner without the express written consent of the GSDesign Group, Inc.



GSDesign Group Inc.
215 Chest Ave.
P.O. Box 1300
Orist, MA 02532
Tel 508.295.2952

Issued For

REV.	ISSUE	DATE

DESIGN
DEVELOPMENT

COASTAL
PERGOLA
ADDITION

Drawing Title:
Drawn By: CT Checked By: GG

SK-126

Drawing Number:
File Name: Scale: AS NOTED
Date: 1/6/2022

Project

Coastal

23 Snow Road
Harwich Port, MA
02646

NOTES:
All notes on this drawing are typical and apply equally to all comparable conditions. Dimensions shall take precedence. Errors or discrepancies on details are to be brought to the attention of the GS Design Group Inc. before the work or materials have either been commenced, and/or purchased.
These drawings are the property of the GS Design Group, Inc. & specifically prepared for the owner of this project at this site and are not to be duplicated or used in part or whole for any other purpose, project location or owner without the express written consent of the GS Design Group, Inc.

GARDNER STEWART
GS Design Group Inc.
215 Orest Ave.
P.O. Box 1200
Orchard, MA 02532
Tel. 508.295.2952

Issued For

REV.	ISSUE	DATE

DESIGN DEVELOPMENT

COASTAL PERGOLA DETAILS

Drawing Title:

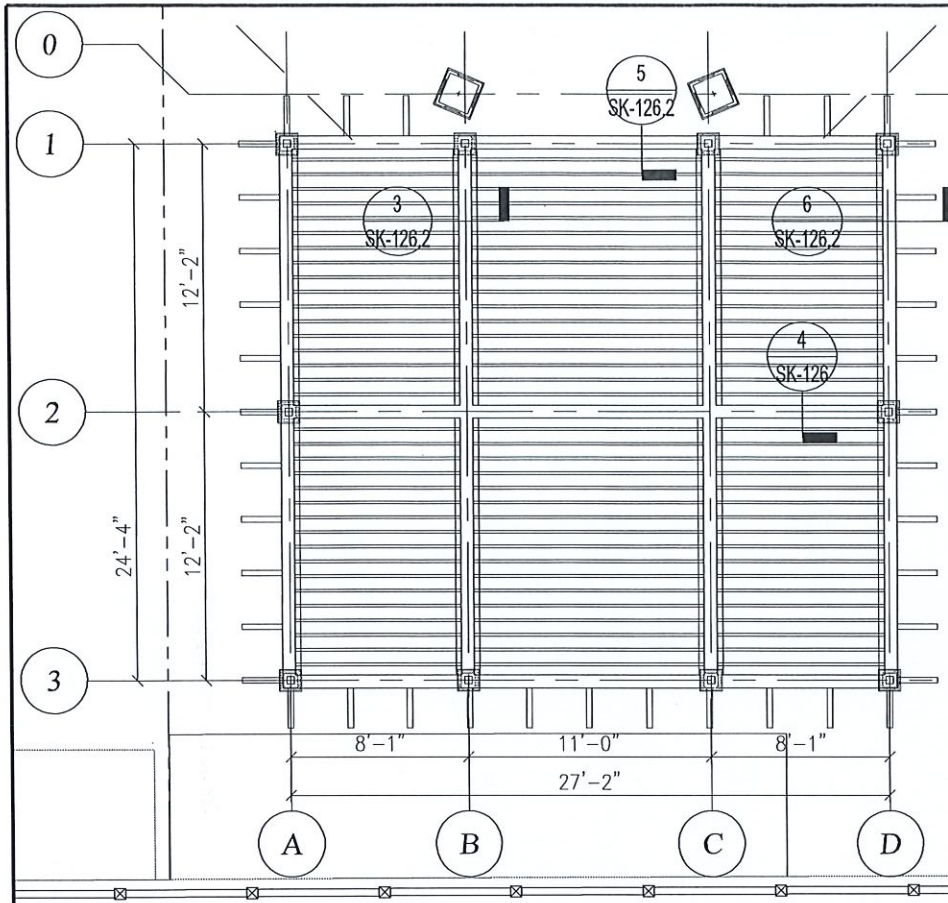
Drawn By: CT Checked By: GG

SK-126.2

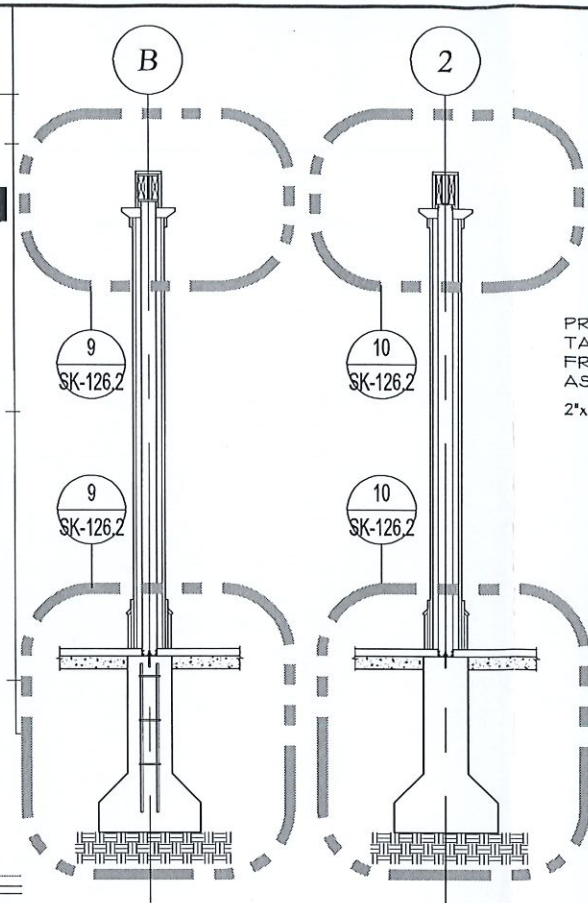
Drawing Number:

File Name: Scale: AS NOTED

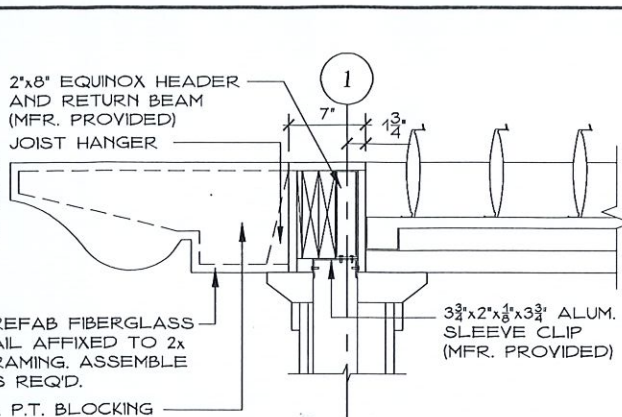
Date: 1/6/2022



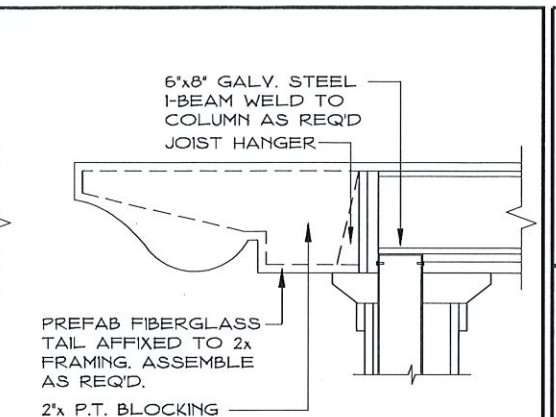
1 Coastal Addition Roof Plan
Scale: 1/4" = 1'-0"



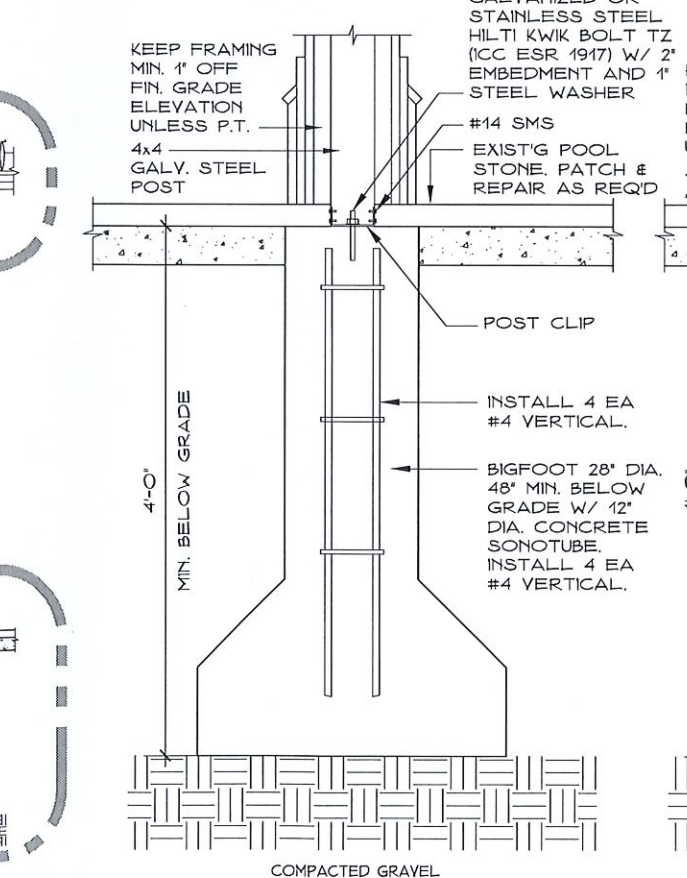
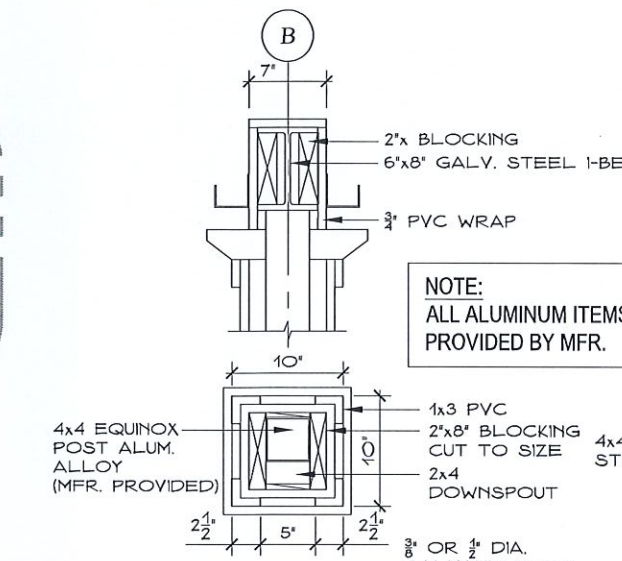
3 Col. A Section Scale: 1/4" = 1'-0"
4 Col. B Section Scale: 1/4" = 1'-0"



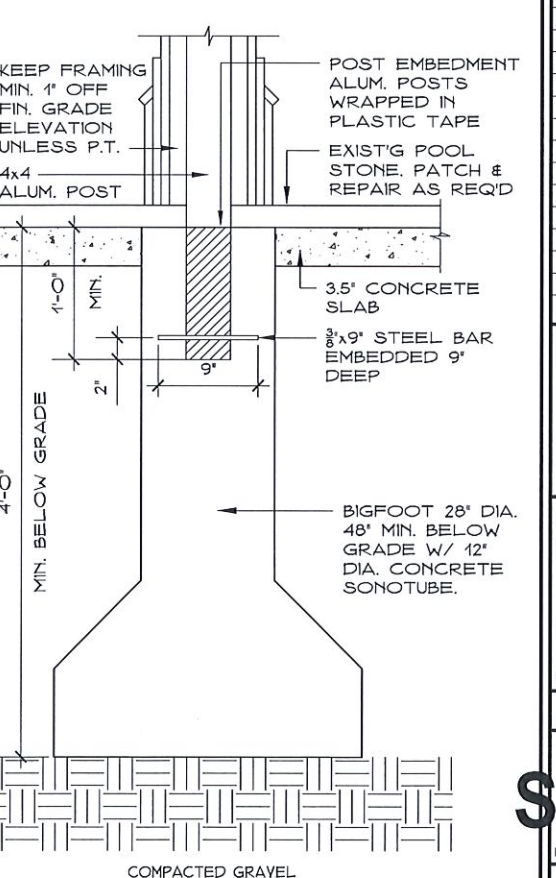
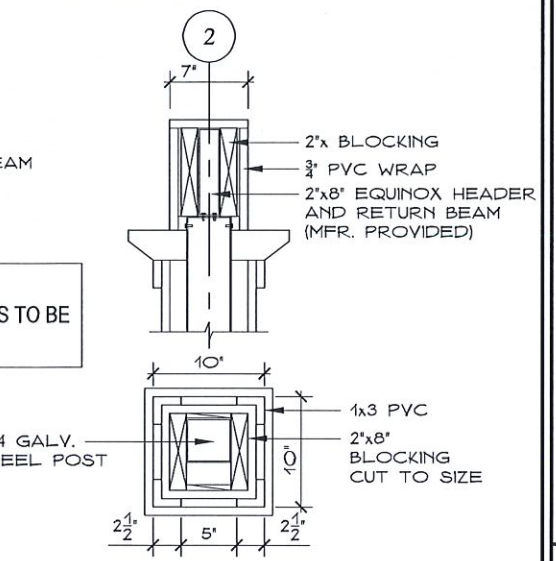
7 Equinox Header To Post Connection
Scale: 1-1/2" = 1'-0"



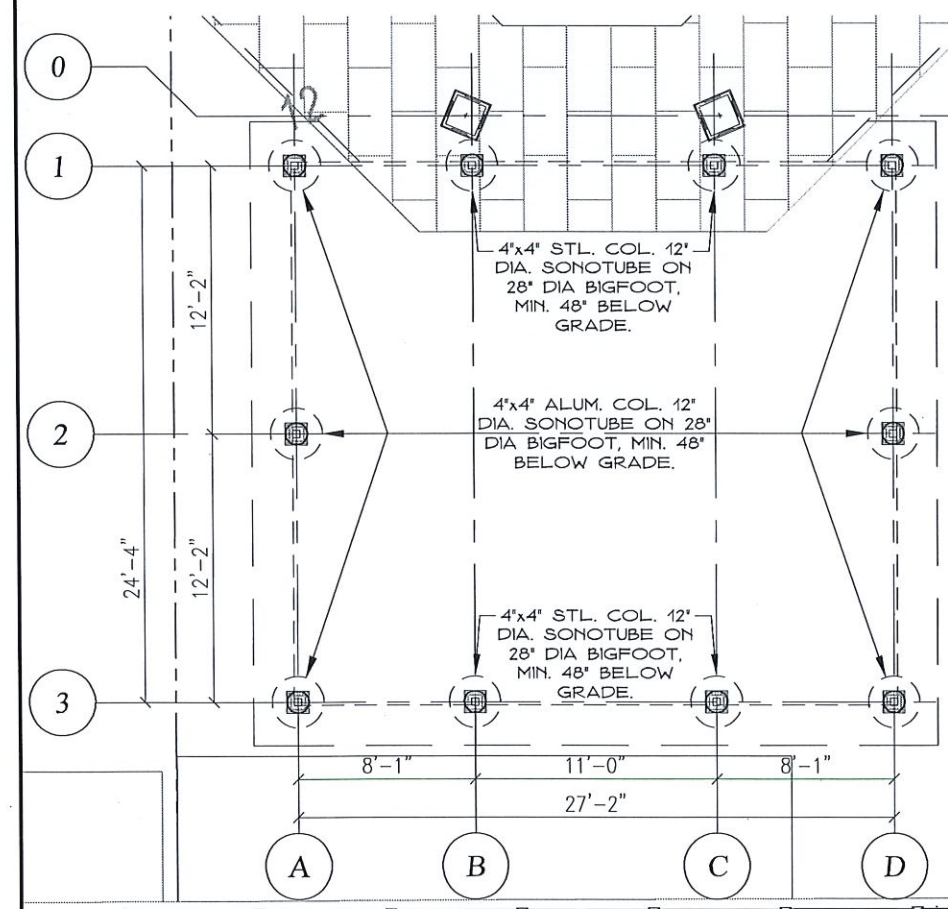
8 I-Beam To Post Connection
Scale: 1-1/2" = 1'-0"



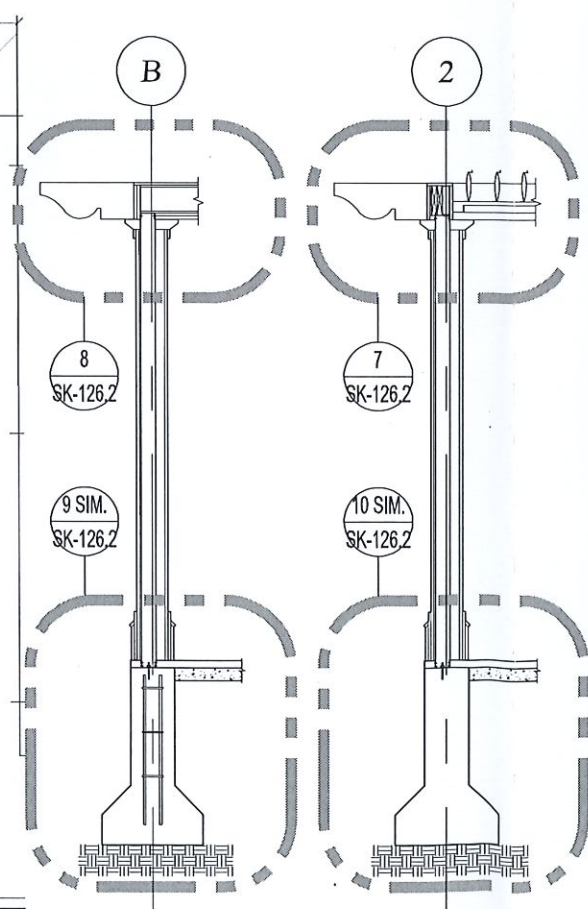
9 Post to Footer & I-Beam to Post Connection
Scale: 1-1/2" = 1'-0"



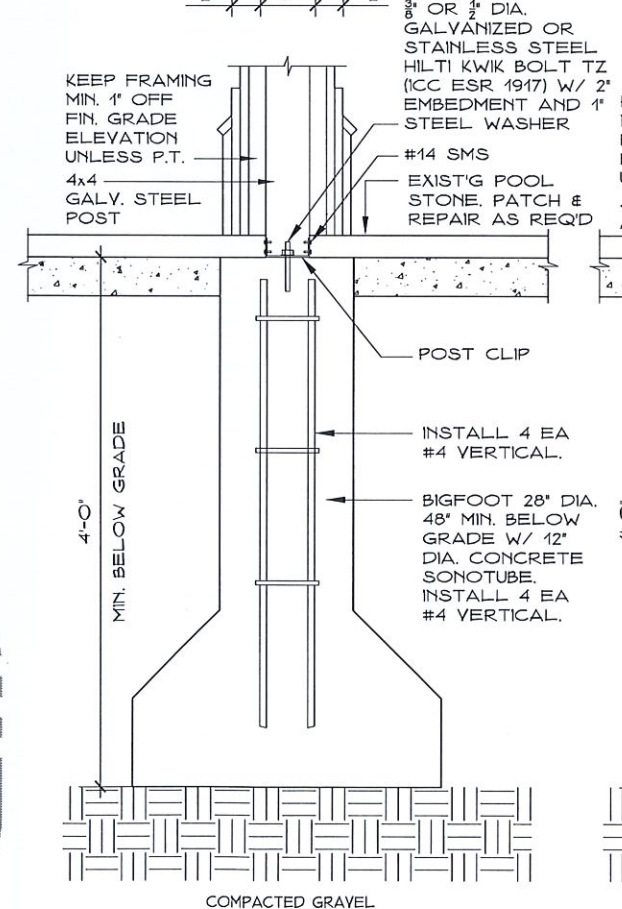
10 Post to Footer & Header to Post Connection
Scale: 1-1/2" = 1'-0"



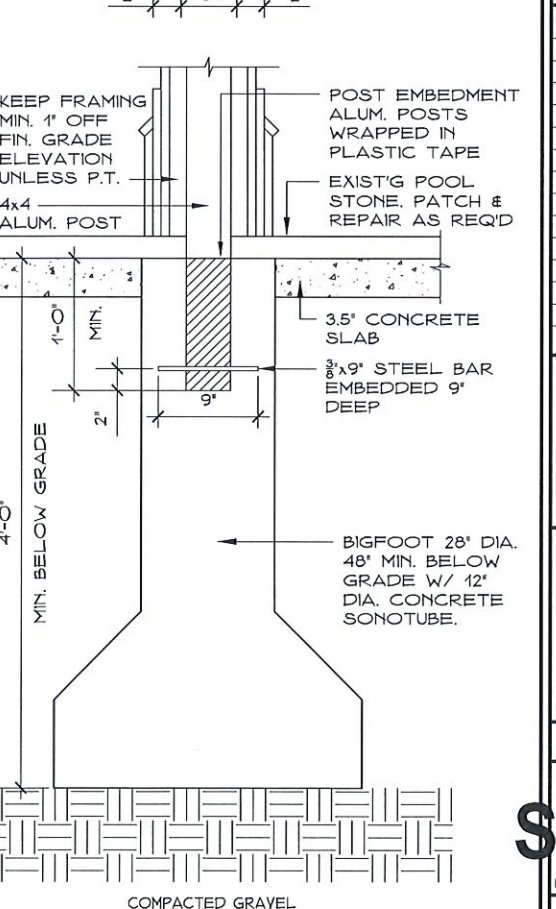
2 Foundation Plan
Scale: 1/4" = 1'-0"



5 Col. C Section Scale: 1/4" = 1'-0"
6 Col. D Section Scale: 1/4" = 1'-0"



9 Post to Footer & I-Beam to Post Connection
Scale: 1-1/2" = 1'-0"



10 Post to Footer & Header to Post Connection
Scale: 1-1/2" = 1'-0"